

49TYD-1

永磁可逆同步电机

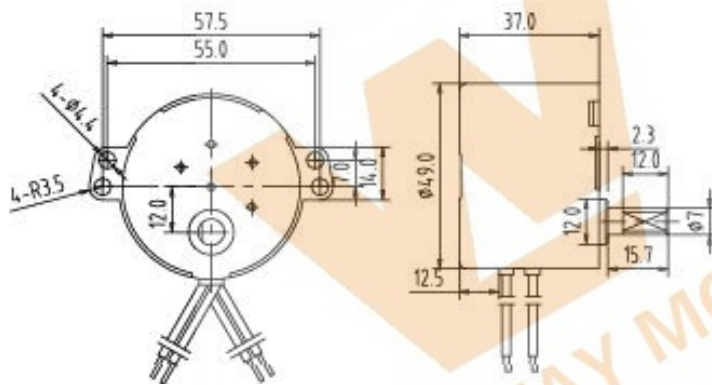
AC SYNCHRONOUS MOTOR

产品特点 and 用途 Description of the product

1. 结构紧凑,反应灵敏,起动及制动速度快,采用精密的金属齿轮,低噪音,高耐磨性,多种输出转速可供选择。
2. 适用于电动阀门、制冰机、云台监控器,塑封机、电动广告、医疗机械等。



外形和安装尺寸 Dimension



电机技术数 Electrical Specifications

Specifications

Item	Date		
Rated voltage (V)	24	110	220
Rated Frequency (Hz)	50/60		
Input Power (W)	2.5 - 7		
Input current (A)	<0.2	<0.05	<0.023
Noise (db)	1.2		
Speed (RPM)	<45		
Rolale direction	CW / CCW/ Bi-directional		

Safety

Item	Date
Insulation resistance	DC 500V 100M Ohms
Insulation str.	AC 1500V 50Hz/min(220v motor)
Insulation class	E(105°C)/ B(130°C)
Enviroment	Temp :-10°C~+40°C/humidity :<85%
Protection	Impedance

Speed & Torque

Speed	Working style	1.04	1.5	2	2.5	4	4.8	5	5.8	9	15	25	30	45	60	75
Torque (kgd.cm)	S1ccontinuous	45/39	30/26	22/19	18/15.7	11/9.6	9.4/8.2	9/7.8	7.6/6.6	5/4.35	3/2.6	1.8/1.57	1.5/1.3	1/0.87	0.75	0.6
	S215 minutes	60/52.2	40/34.8	30/26	24/20.9	15/13	12.5/10.9	12/10.4	10/8.7	6.5/5.7	4/3.5	2.4/2.1	2/1.74	1.3/1.13	1/0.87	0.8/0.7
	S2 5 minutes	70/60.9	46/40	35/30.5	28/22.4	17.5/15.2	14.5/12.6	14/12.2	12/10.4	7.8/6.8	4.6/4	2.8/2.43	2.3/2	1.5/1.3	1.2/1.04	1/0.8

*The specifications can be designed according to the customer's requirement !

以上仅为代表性产品, 派生产品可根据客户要求制作!