

KXTYZ-1

烤箱同步电机

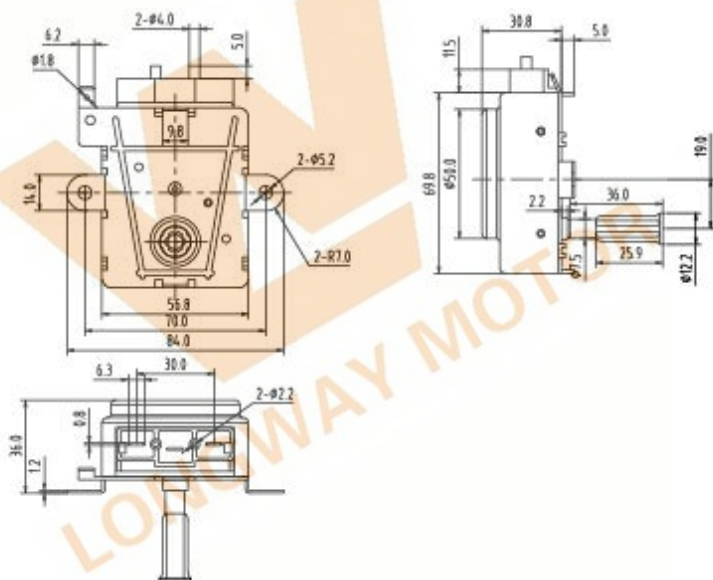
AC SYNCHRONOUS MOTOR

产品特点 and 用途 Description of the product

1. 内置齿轮减速机构设计,大力矩低噪音,烤箱, 烧烤炉等高温环境设计使用;
2. 适用于烤箱,烧烤炉。



外形和安装尺寸 Dimension



电机技术数 Electrical Specifications

Specifications

Item	Date		
Rated voltage (V)	110	220	230
Rated Frequency (Hz)	50/60		
Input Power (W)	4 - 6		
Input current (A)	<0.07	<0.35	<0.40
Noise (db)	<45		
Rotate direction	FREE		
Speed (RPM)	2		
Torque (kgf.cm)	12-18		

Safety

Item	Date
Insulation resistance	DC 500V 100M Ohms
Insulation str.	AC1500V 50Hz/min(220vmotor)
Insulation class	F H
Environment	Temp :-15°C ~ +125°C
Protection	Impedance

*The specifications can be design according to the customer's requirement !

以上仅为代表性产品, 派生产品可根据客户要求制作!