

# 60TYZ-1

## 永磁同步电机

## AC SYNCHRONOUS MOTOR

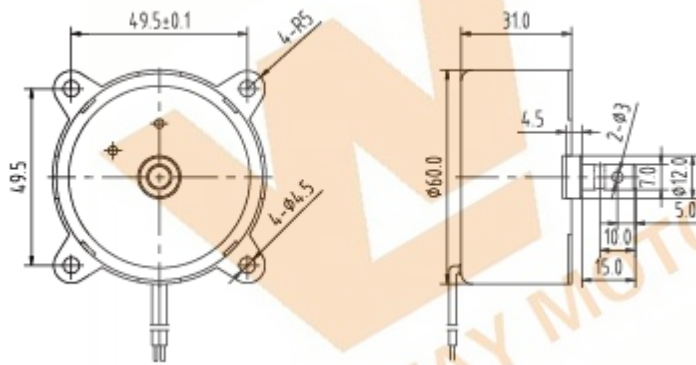
### 产品特点 and 用途 Description of the product

1. 结构紧凑，反应灵敏，起动及制动速度快，采用精密的金属齿轮，低噪音，高耐磨性，多种输出转速可供选择。

2. 适用于电动阀门，塑封机，电力控制设备，舞台灯光，空调百叶窗等。



### 外形和安装尺寸 Dimension



### 电机技术数 Electrical Specifications

#### Specifications

Item	Date		
Rated voltage (V)	24	110	220
Rated Frequency (Hz)	50/60		
Input Power (W)	<6		
Input current (A)	<0.4	<0.084	<0.042
Noise (db)	124		
Speed (RPM)	<40		
Rotational direction	CW / CCW/ Bi-directional		

#### Safety

Item	Date
Insulation resistance	DC 500V 100M Ohms
Insulation str.	AC 1500V 50Hz/min(220v motor)
Insulation class	E(105°C)/ B(130°C)
Environment	Temp :-10°C~+40°C/humidity :<85%
Protection	Impedance

### Speed & Torque

Speed (rpm)	Working style	4.6	10	20	30	60	90
Torque (kgf.cm)	S1 continuous	12/10.44	5.5/4.82	2.8/2.43	2/1.74	1/0.87	0.6/0.52
	S2 15 minutes	14/12.18	6.5/5.66	3.2/2.78	2.2/1.91	1.1/0.96	0.7/0.6
	S2 5 minutes	16/13.92	7.5/6.53	3.7/3.22	2.5/2.18	1.2/1.04	0.8/0.7

\*The specifications can be designed according to the customer's requirement !

以上仅为代表性产品，派生产品可根据客户要求制作！