

49TYZ

永磁同步电机

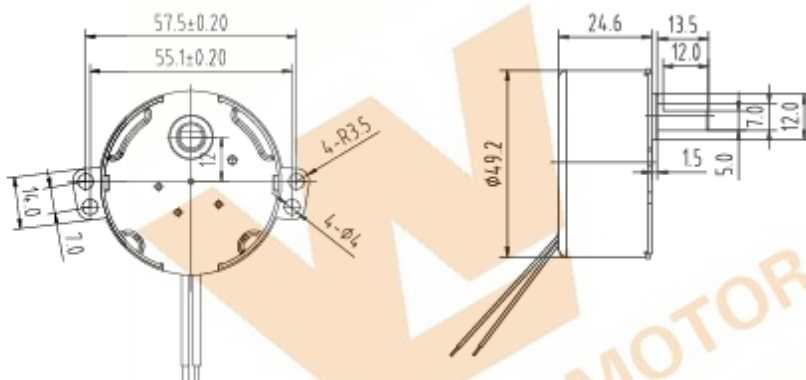
AC SYNCHRONOUS MOTOR

产品特点 and 用途 Description of the product

- 1.特殊结构设计, 超大扭矩, 比类似外形尺寸的普通型电机大一倍以上;
- 2.采用精密的塑料,金属齿轮,低噪音,高耐磨性;
- 3.适用于电动阀门,塑封机, 电力控制设备,舞台灯光,空调百叶窗等。



外形和安装尺寸 Dimension



电机技术数 Electrical Specifications

Specifications

Item	Date		
Rated voltage (V)	24	110	220
Rated Frequency (Hz)	50/60		
Input Power (W)	<4.5		
Input current (A)	<0.3	<0.06	<0.032
Noise (db)	1		
Speed (RPM)	<40		
Rolale direction	CW / CCW/ Bi-directional		

Safety

Item	Date
Insulation resistance	DC 500V 100M Ohms
Insulation str.	AC 1500V 50Hz/min(220v motor)
Insulation class	E(105°C)/ B(130°C)
Enviroment	Temp :-10°C~+40°C/humidity :<85%
Protection	Impedance

Speed & Torque

Speed(rpm)	Working style	1.6	2.5	3	4	6
Torque (kgf.cm)	S1 coutinuous	27/23.5	17/14.8	14/12.2	11/9.6	7/8
	S2 15 minutes			18/15.7	13/11.3	9/7.8
	S2 5 minutes				15/13	10/8.7

*The specifications can be designed according to the customer's requirement !

以上仅为代表性产品, 派生产品可根据客户要求制作!