

# YJ61-PAG7076

## 罩极减速电机

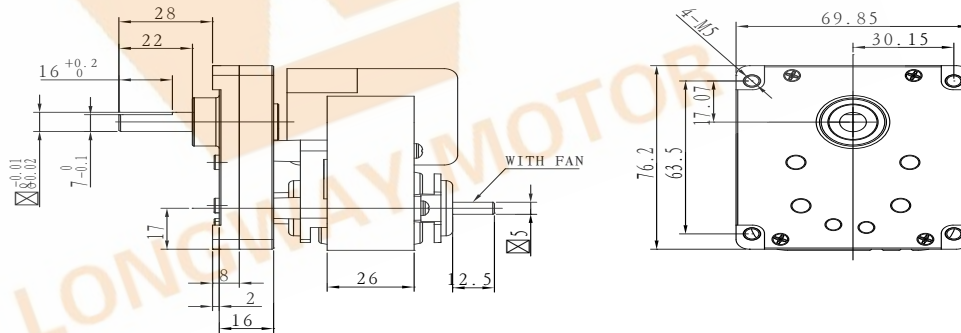
## AC GEARED MOTOR

### 产品特点 and 用途 Description of the product

1.适用于监控系统/云台、遥控窗帘、电焊机、水表IC卡、烧烤架、烤炉、清洗机、垃圾处理机、家用电器、投币机、纸币识别器、自动执行机构。



### 外形和安装尺寸 Dimensions



### 电动机主要技术参数 Motor Technical Data

Reduction Ratio	1/37	1/67	1/95	1/139	1/151	1/196	1/219	1/277	1/1400	1/624	1/825	1/1166
Number of gear trans	3	3	3	4	4	4	4	4	5	5	5	5
Rated speed at 60Hz	73	40	28.4	19.4	17.4	13.8	12.3	9.8	6.8	4.3	3.3	2.3
YJ6110 L=10.5 (Kgf.cm) Rated torque	1.62	2.93	4.16	5.50	6.14	7.76	8.67	11.0	14.2	22.1	29.2	41.3
YJ6112 L=12 (Kgf.cm) Rated torque	2.16	3.91	5.55	7.34	8.18	10.3	11.6	14.6	18.9	29.4	38.9	55.0
YJ6114 L=14.5 (Kgf.cm) Rated torque	2.70	4.89	6.94	9.17	10.2	12.9	14.5	18.3	23.6	36.8	48.7	68.8
YJ6116 L=16.5 (Kgf.cm) Rated torque	3.78	6.85	9.71	12.8	14.3	18.1	20.2	25.6	33.0	51.5	68.1	80.0
YJ6120 L=20.5 (Kgf.cm) Rated torque	4.86	8.80	12.5	16.5	18.4	23.3	26.0	32.9	42.5	66.2	80.0	80.0
YJ6125 L=25.5 (Kgf.cm) Rated torque	5.94	10.8	15.3	20.2	22.5	28.5	31.8	40.2	51.9	66.2	80.0	80.0
YJ6130 L=30.5 (Kgf.cm) Rated torque	7.56	13.7	19.4	25.7	28.6	36.2	40.5	51.2	66.1	80.0	80.0	80.0
YJ6135 L=35.5 (Kgf.cm) Rated torque	9.45	17.1	24.3	32.1	35.8	45.3	50.6	64.0	80.0	80.0	80.0	80.0
YJ6140 L=40 (Kgf.cm) Rated torque	10.8	19.6	27.7	36.7	40.9	51.7	57.8	73.1	80.0	80.0	80.0	80.0
Note	Volt.age can make as customers' request											
Packing Details	CTN size:55X35XH18CM 24pcs/CTN N.W.16Kgs											